

322C 5192

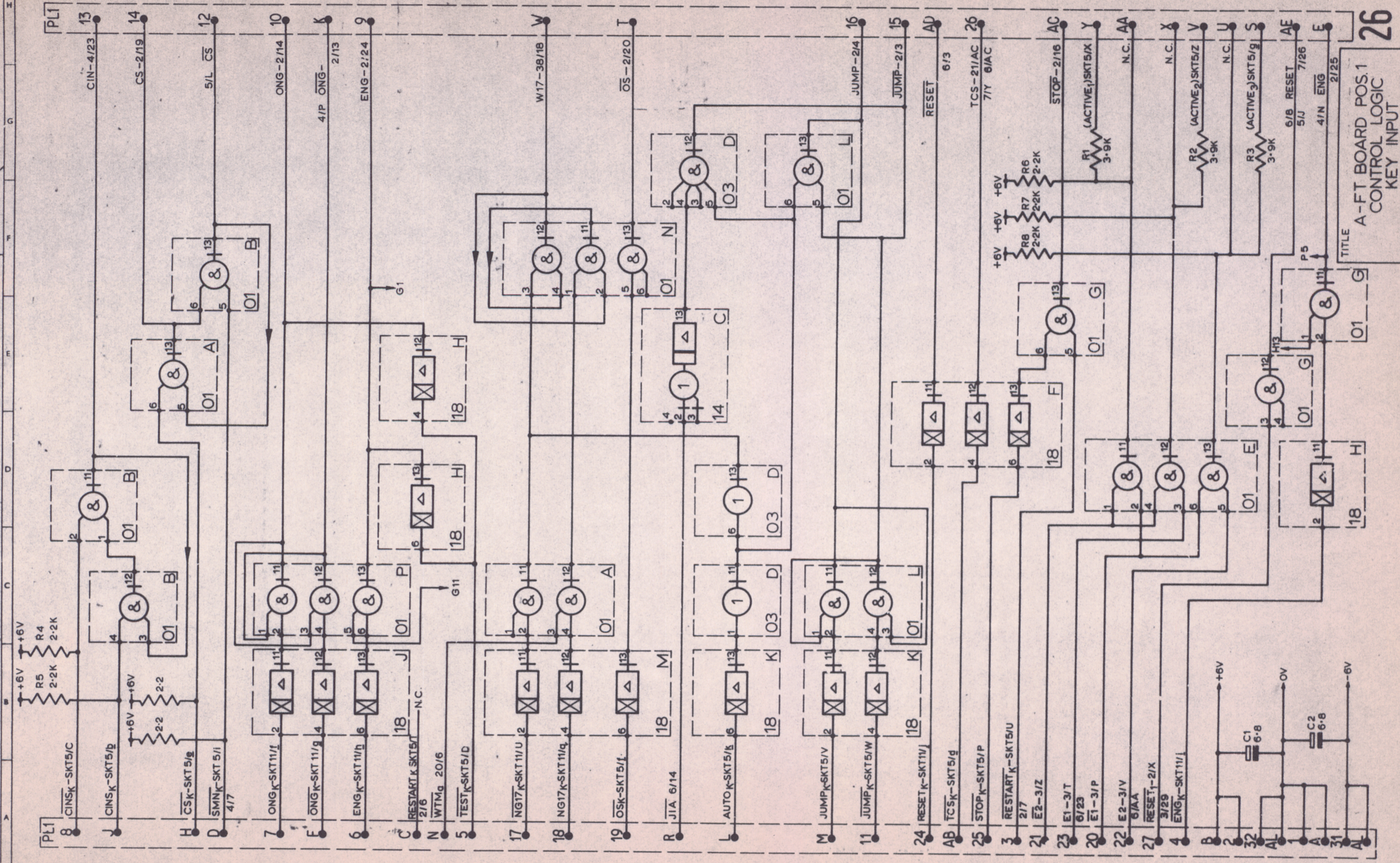
THIRD ANGLE PROJECTION

DIMENSIONS IN INCHES UNLESS OTHERWISE STATED

DO NOT SCALE DRAWING

26

TITLE
A-FT BOARD POS.1
CONTROL LOGIC
KEY INPUT



LATEST MI INCORPORATED: MI 2002
 2998
 154

ISSUE No.	4				
ALTERATION No.	1740				
DATE	10/6/66				
INITIALS	S.S.				
PARTS LIST No.					
DRAWN	D&D	CHECKED	CS 616	APPROVED	DATE 7-11-66

MATERIAL	FINISH
<small>© Elliott Brothers (London) Limited THIS DRAWING IS THE PROPERTY OF ELLIOTT BROTHERS (LONDON) LIMITED AND MAY NOT BE COPIED, USED OR DISCLOSED FOR ANY PURPOSE EXCEPT AS AUTHORIZED IN WRITING BY ELLIOTT BROTHERS (LONDON) LIMITED</small>	
TOLERANCES	
LINEAR	
UNMACHINED SURFACES ±	
MACHINED SURFACES ±	
ANGULAR DIMENSIONS ±	
UNLESS OTHERWISE STATED	

ELLIOTT BROTHERS (LONDON) LTD	
TITLE	A-FT BOARD POS.1 CONTROL LOGIC KEY INPUT
SCALE	DRAWING No. 322 C 5192